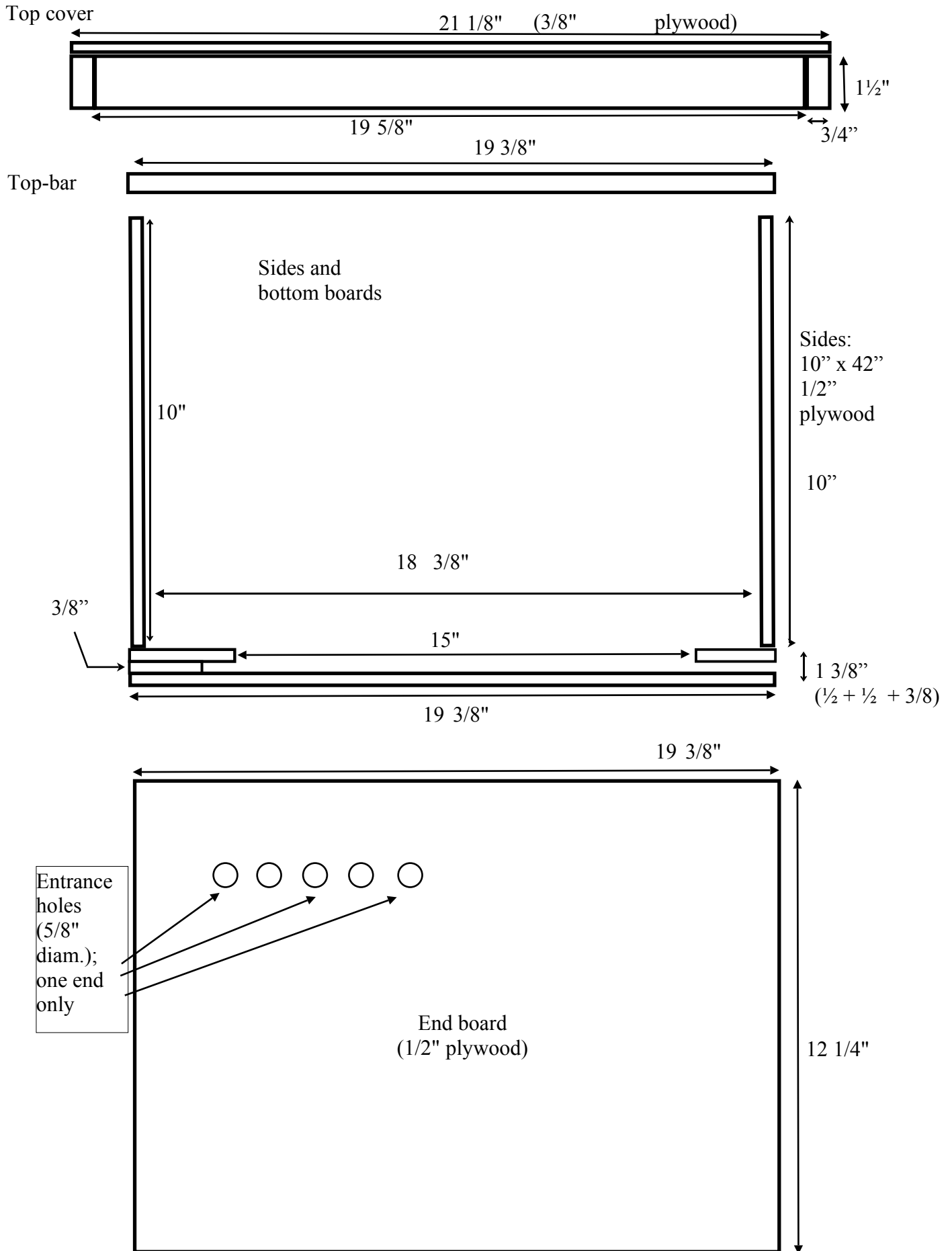
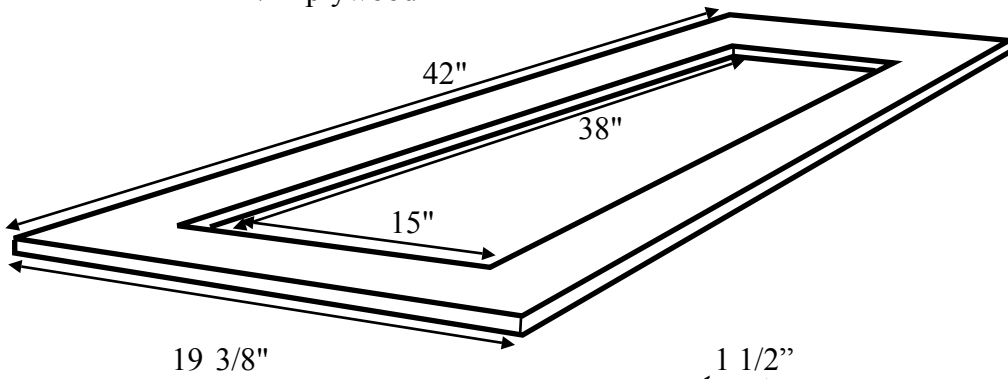


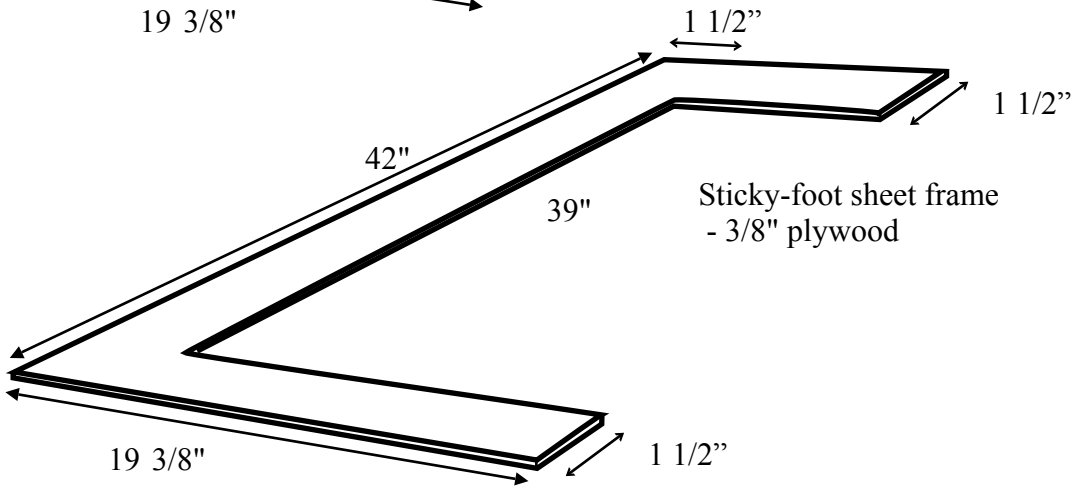
TANZANIAN - 1/2" PLYWOOD: PLAN



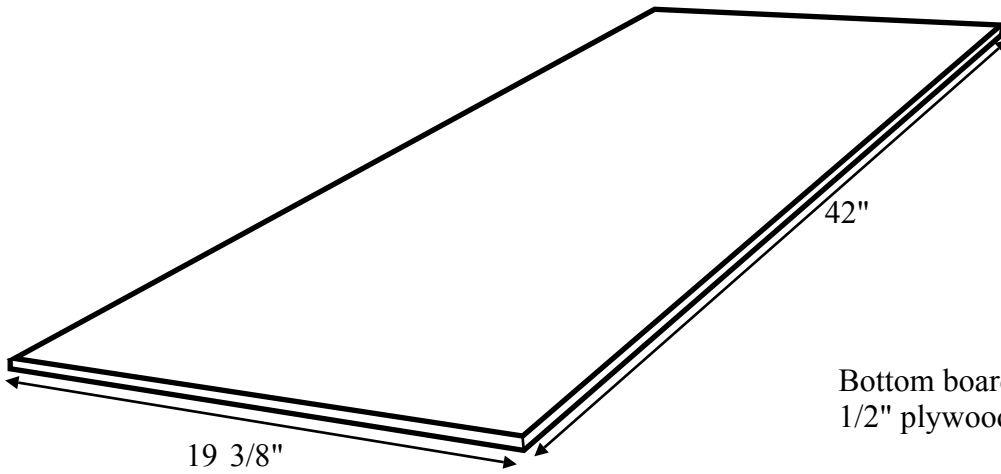
Screen frame -
1/2" plywood



Sticky-foot sheet frame
- 3/8" plywood

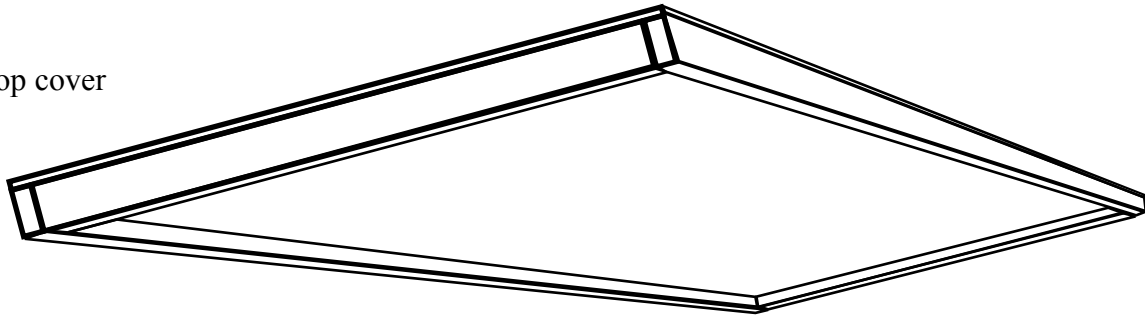


Bottom board -
1/2" plywood



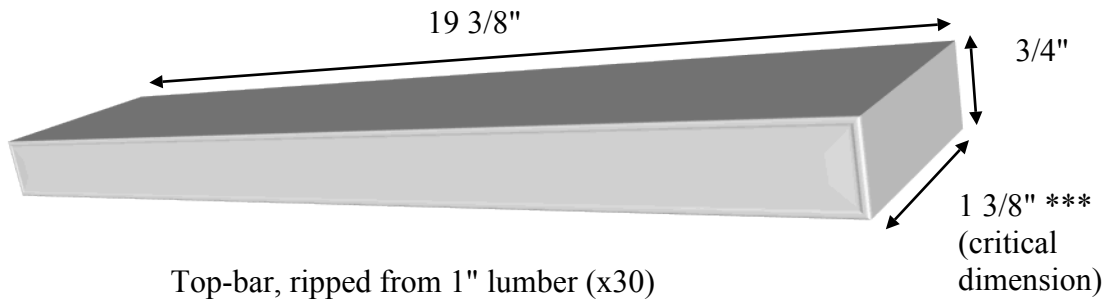
Bottom construction with screened opening and space for a replaceable sheet of tacky material to trap parasitic mites

Top cover

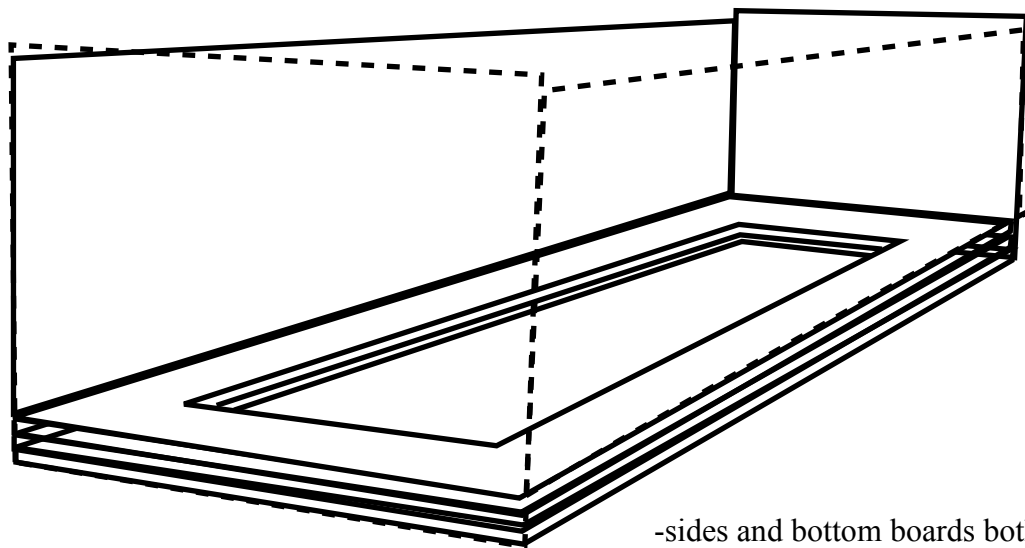


-inner dimensions of top just large enough to accommodate the hive dimensions; about 19 5/8" wide by about 43 1/2" long

-top board is 21 1/8" x 45"



Top-bar, ripped from 1" lumber (x30)



Schematic of assembly

-sides and bottom boards both 42" long
-end boards should extend up about 1/2" beyond the tops of the side boards

**Rough guide to cutting hive components
from a 4 x 8 sheet of plywood**

