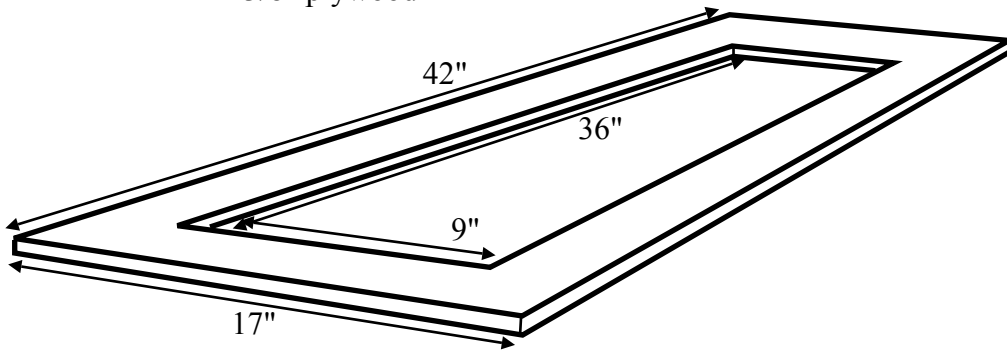
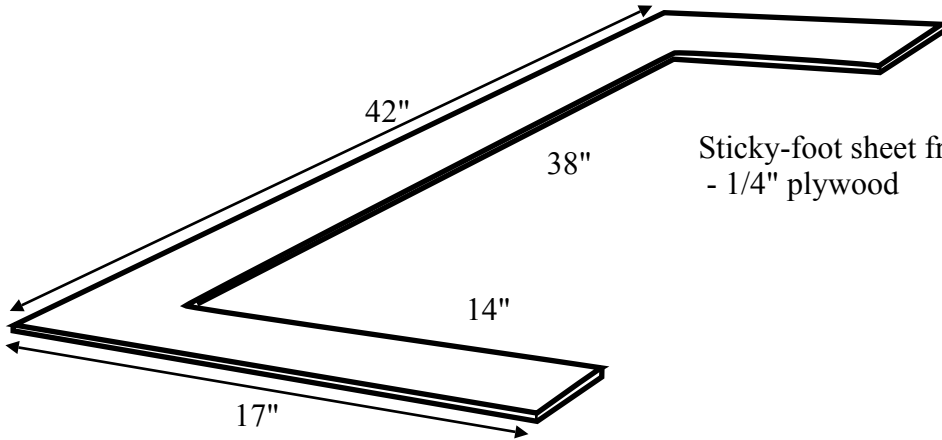


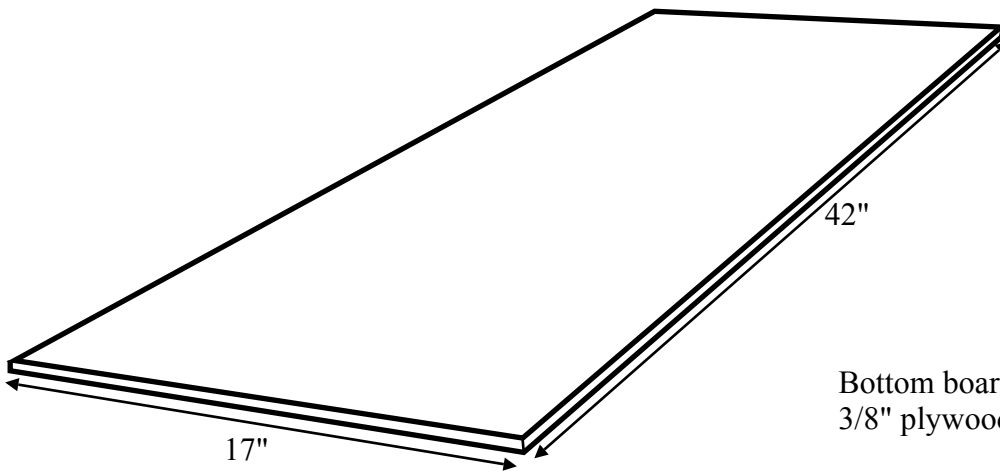
Screen frame -
3/8" plywood



Sticky-foot sheet frame
- 1/4" plywood

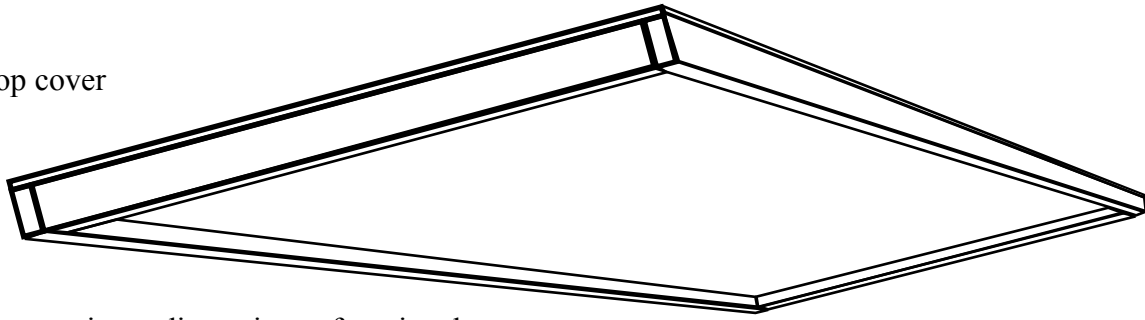


Bottom board -
3/8" plywood

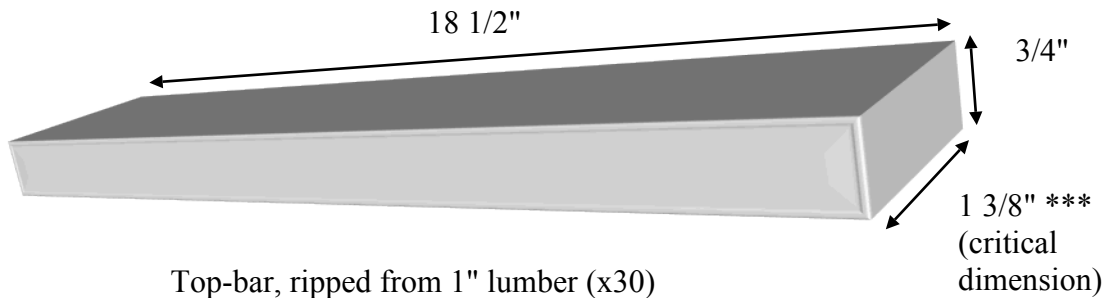


Bottom construction with screened opening and space for
a replaceable sheet of tacky material to trap parasitic mites

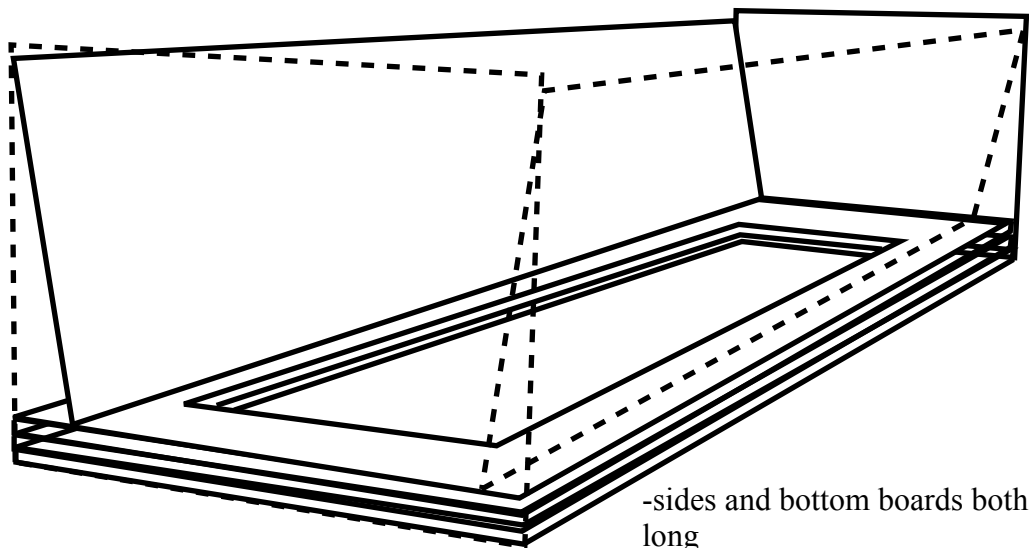
Top cover



-inner dimensions of top just large enough to accommodate the hive dimensions; about 19" wide by about 43 1/2" long



Top-bar, ripped from 1" lumber (x30)
-with bottom central kerf, 1/8" deep



-sides and bottom boards both 42" long
-end boards should extend up about 1/2" beyond the tops of the side boards

Schematic of assembly

**Rough guide to cutting hive components
from a 4' x 8' sheet of plywood**

